

### INSTALLATION CERTIFICATE

The undersigned qualified installer attests to have personally fitted the here described system following the manufacturer instructions.

By :

Sold on :

Type of product :  839

Vehicle :

**GEMINI Technologies S.p.A.**  
Via Luigi Galvani 12 - 21020 Bodio Lomnago (VA) - Italia  
Tel. +39 0332 943211 - Fax +39 0332 948080  
Web site: [www.gemini-alarm.com](http://www.gemini-alarm.com)



# 839

## INSTALLATION AND USE MANUAL



Made in Italy



AC 2729/UK Rev. 00 - 06/10

**1.0 - PRELIMINARY ADVICE**..... PAGE 02

**USER MANUAL**

**2.0 - OPERATING DESCRIPTION**..... PAGE 03

  2.1 - Vehicle CDL locking..... PAGE 03

  2.2 - Vehicle CDL locking and comfort control..... PAGE 03

  2.3 - Vehicle CDL unlocking..... PAGE 03

**3.0 - REMOTE CONTROL BATTERIES REPLACEMENT**..... PAGE 03

**INSTALLER MANUAL**

**4.0 - CONNECTOR TABLE**..... PAGE 04

**5.0 - COMPLETE ELECTRIC DIAGRAM**..... PAGE 05

**6.0 - ADD NEW DEVICES**..... PAGE 06

**7.0 - DELETION OF PROGRAMMED DEVICES**..... PAGE 07

**8.0 - PROGRAMMABLE FUNCTIONS DESCRIPTION**..... PAGE 08

  8.1 - System self-rearming and door locking..... PAGE 08

  8.2 - Central door locking setting time..... PAGE 08

  8.3 - Window comfort closure..... PAGE 08

  8.4 - Double impulse in opening..... PAGE 08

  8.5 - Doors push-buttons polarity selection..... PAGE 08

**9.0 - SYSTEM PROGRAMMING**..... PAGE 08

**10.0 - WARRANTY CONDITIONS**..... PAGE 09

**11.0 - WASTE ELECTRICAL AND ELECTRONIC EQUIPMENT (WEE) DIRECTIVE**..... PAGE 09

**12.0 - TECHNICAL SPECIFICATIONS**..... PAGE 09

**1.0 - PRELIMINARY ADVICE**

Dear Customer,  
the following warning signs in the present manual provide important notices to the installer and the user for installing and using this product correctly:



**Indications useful for the user.**

This icon provides the user with indications for a diversified use of the system or it simply provides indications useful for the use.



**Indications useful for the installer.**

This icon indicates to the installer a diversified operating, according to the connection and the programming of the system or it simply provides indications useful for the installation.

**USER MANUAL**

**2.0 - OPERATING DESCRIPTION**



This manual also refers to the LED and to its various optical signals.  
The LED is optional and therefore not included in the kit.

**2.1 - VEHICLE CDL LOCKING**

Press the button on the remote control; the LED will light up steady for 10" and the turn indicators will blink twice to confirm that the vehicle has been locked .

After this lapse of time, the LED will start blinking until the system is disarmed.

**2.2 - VEHICLE CDL LOCKING AND COMFORT CONTROL**

If the comfort feature is activated, the vehicle doors will lock and the windows will roll up.

In this case the LED will light up steady during the comfort locking and stay lit for 10" afterwards.

If the remote has two buttons, the comfort feature can be excluded by pressing first the dotted button (lock) and then the smooth button (comfort exclusion).

**2.3 - VEHICLE CDL UNLOCKING**

Press the button on the remote control; the turn indicators will blink three times to confirm that the vehicle has been unlocked..

**3.0 - REMOTE CONTROL BATTERIES REPLACEMENT**

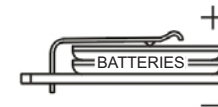
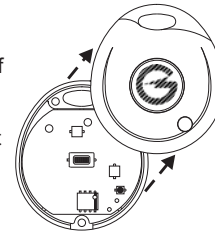
To prevent problems with the remote control, it has been provided with a device that will signal the charge condition of the batteries inside.

During normal use of the remote control, when you press a command button the green LED will light up with a steady light.

If the batteries are too weak for normal operation of the remote control, when the button is pressed the green LED will start blinking, advising you that it is time to replace the batteries.

For battery replacement follow the indications reported below.

Separate the plastic shells of the remote control, paying attention to not damage the internal circuit.



Remove the discharged batteries and insert the new batteries in their housing, taking care not to invert the polarity.



Close the plastic shells of the remote and verify the remote control works properly.




Use only batteries of Cr1616 type.  
Discard used batteries properly in special dedicated containers.

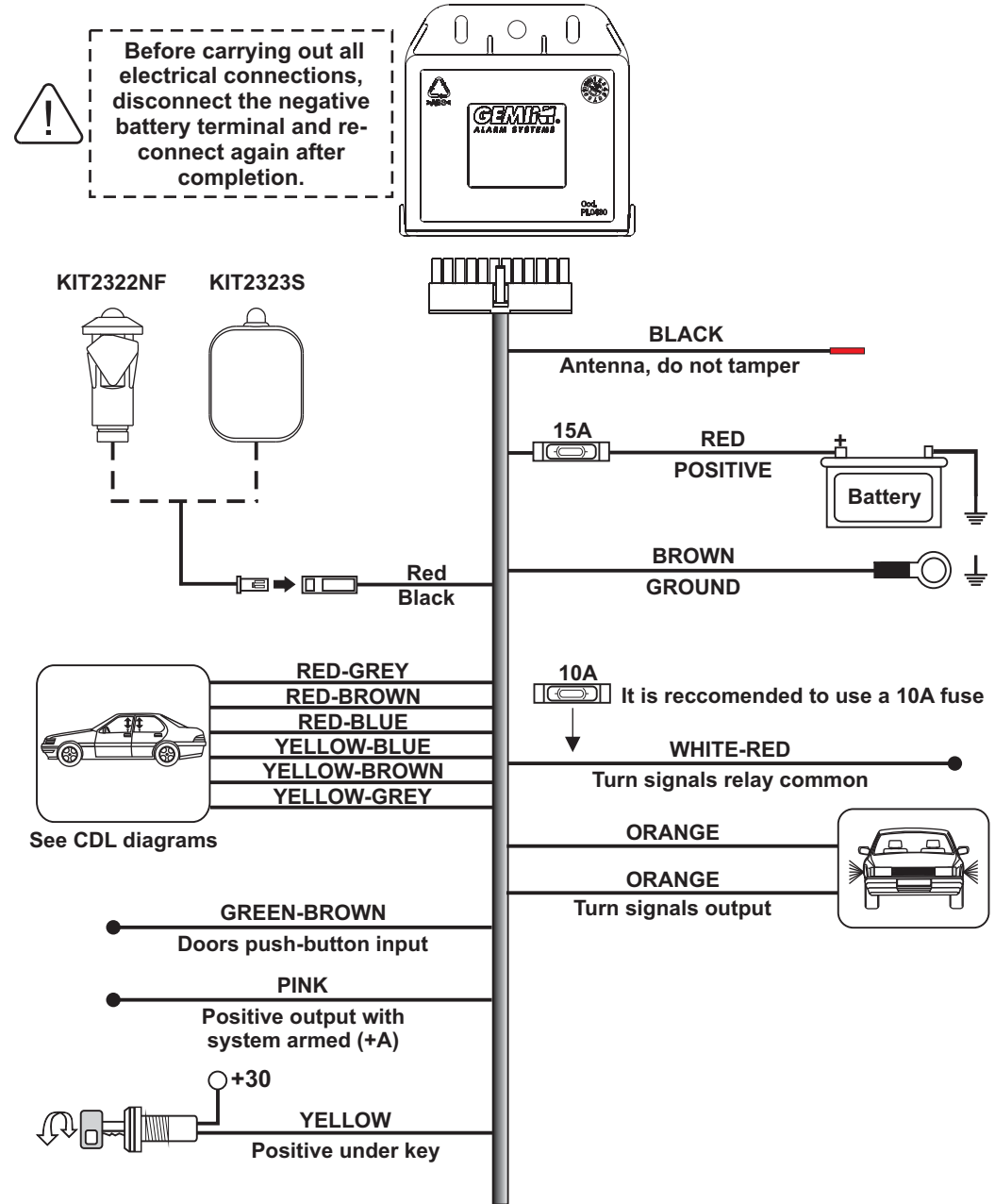
# INSTALLER MANUAL

## 4.0 - CONNECTOR TABLE

POSITION	WIRE FUNCTION	WIRE COLOUR
- 1 -	-----	-----
- 2 -	Doors push-button input	GREEN-BROWN
- 3 -	Positive under key	YELLOW
- 4 -	-----	-----
- 5 -	-----	-----
- 6 -	Power supply ground	BROWN
- 7 -	-----	-----
- 8 -	Positive output with system armed (+A)	PINK
- 9 -	LED negative output	BLACK
- 10 -	LED positive output	RED
- 11 -	Power supply positive	RED
- 12 -	Antenna	BLACK
- 13 -	-----	-----
- 14 -	-----	-----
- 15 -	-----	-----
- 16 -	Turn signals positive/negative output	ORANGE
- 17 -	Turn signals positive/negative output	ORANGE
- 18 -	Turn signals positive/negative common	WHITE-RED
- 19 -	CDL	RED-GREY
- 20 -	CDL	RED-BROWN
- 21 -	CDL	RED-BLUE
- 22 -	CDL	YELLOW-BLUE
- 23 -	CDL	YELLOW-BROWN
- 24 -	CDL	YELLOW-GREY

 The positive under key (YELLOW wire) and the door signal (GREEN-BROWN wire) MUST BE CONNECTED for some operating modes and configurations. Therefore these connections must ALWAYS be done.

## 5.0 - COMPLETE ELECTRIC DIAGRAM



## 6.0 - ADD NEW DEVICES



In order to carry out successfully the operation, it is necessary to make the required electrical connections (door switch and positive under key).

The system can learn up to 50 remote controls.

For procedure activation follow the indications reported below.

- With the system being disarmed, open and keep opened vehicle driver side door.



The following operations must be carried out within four seconds, otherwise the procedure will be invalidated.

- Turn the vehicle ignition key in “ON”-“OFF”-“ON”-“OFF”-“ON”-“OFF”-“ON” position.
- After the fourth commutation, let the vehicle ignition key to “ON”.
- The system will indicate the remote control learning procedure starting by two flashes of the LED and the turn indicators.



Do not modify the door position otherwise previously saved to memory devices will be deleted, like described in the next paragraph.

- The system is now waiting to receive the new device code.
- Press the button on the remote control; the system will indicate the new device learning by a flash of the LED
- Repeat the procedure to save to memory other devices.
- Turn the vehicle ignition key to “OFF” position and close the door.
- The procedure completion will be indicated by one long flash of the LED and one of the turn indicators.



Storing memory is for 50 devices. When an extra one is added, it will automatically delete the first device registered.

## 7.0 - DELETION OF PROGRAMMED DEVICES



In order to carry out successfully the operation, it is necessary to make the required electrical connections (door switch and positive under key).

The system includes a devices deletion procedure.

For procedure activation follow the indications reported below.

- With the system being disarmed, open and keep opened vehicle driver side door.



The following operations must be carried out within four seconds, otherwise the procedure will be invalidated.

- Turn the vehicle ignition key in “ON”-“OFF”-“ON”-“OFF”-“ON”-“OFF”-“ON” position.
- After the fourth commutation, let the vehicle ignition key to “ON”.
- The system will indicate the devices deletion procedure starting by two flashes of the LED and the turn indicators.
- Close the door; the LED will be illuminated constantly.
- Keep the door close till the moment, after about eight seconds, the complete deletion of devices will take place.



If the door is opened before 8 seconds, devices will not be deleted.

- The procedure completion will be indicated by LED's turning off.
- Turn the vehicle ignition key to “OFF” position.

## 8.0 - PROGRAMMABLE FUNCTIONS DESCRIPTION

This chapter covers the various features of the system which can be programmed as described in "SYSTEM PROGRAMMING".

### 8.1 - SYSTEM SELF-REARMING AND DOOR LOCKING

This function allows vehicle's protection in case the user disarms accidentally the system. Thus, the system will be automatically rearmed after 30", if no intervention on the vehicle is done (i.e. door opening, engine start). Together with the system self-rearming, the automatic door locking of the vehicle is done when running. Being closed all the doors of the vehicle, turn the ignition key to "ON"; after 20", all doors will be locked. By turning the ignition key to "OFF", all doors of the vehicle will be automatically unlocked.

### 8.2 - CENTRAL DOOR LOCKING SETTING TIME

Function that allows to select the CDL closure time.

### 8.3 - COMFORT CLOSURE CONTROL

This function allows activating the comfort control (window closing) when the system is armed.

### 8.4 - DOUBLE IMPULSE IN OPENING

This function activates twice the opening control and it is used on vehicles with diversified opening.

### 8.5 - DOORS PUSH-BUTTONS POLARITY SELECTION

This function modifies the alarm input signal (positive or negative) according to the signal deriving from the door's button.

## 9.0 - SYSTEM PROGRAMMING



Do not modify the functions which have been programmed during the installation. Entering the programming procedure resets the functions to the default Setting.

The system has a "standard configuration" programmed during manufacturing procedure by Gemini. For programming modification proceed as follows:

- With the system disarmed and doors closed, turn the vehicle ignition key to "ON" position.
- The status LED stay on for one second; during this time, push the button on the remote control.
- Starting of programming procedure is indicated by three flashed of the LED and the turn indicators and furthermore the LED is permanently illuminated.
- To able and disable the functions, follow the below table, take into consideration that every press of the push button or rotation of the ignition key will cycle to the next feature. The LED will turn off briefly after each press of the remote and turn off twice after each key rotation.

FUNCTION	STATUS	BUTTON	VEHICLE KEY
System self-rearming	Disabled	Enable	Disable
Setting of opening/closing time (1" or 6")	Selected 1"	Enable 6"	Enable 1"
25" comfort closure	Disabled	Attiva	Disable
Doors lock double impulse in opening	Disabled	Attiva	Disable
Selection of doors input polarity	Enabled negative	Enable positive polarity	Enable positive polarity

- Once the last function has been programmed, the system indicates the end of programming procedure by three flashed of LED and turn indicators.
- Turn the vehicle ignition key to "OFF" position.

## 10.0 - WARRANTY CONDITIONS

This product is guaranteed to be free from manufacturing defects 24 months from the installation date shown on this warranty coupon, taking into consideration the 1999/44/CE. Therefore, you are kindly requested to fill entirely the guarantee certificate included in this booklet and to NOT REMOVE the guarantee label from the device. The warranty will become void if labels are missing or torn, if the installation certificate is not fully compiled or if the enclosed sale document is missing. The guarantee is valid exclusively at authorized Gemini Technologies S.p.A. Service Centers. The manufacturer declines any responsibility for eventual malfunctions of the device or any damage to the vehicle electrical system due to improper installation, use or tampering.

## 11.0 - WASTE ELECTRICAL AND ELECTRONIC EQUIPMENT (WEEE) DIRECTIVE

In the European Union, this label indicates that this product must not be disposed of with household waste. It should be deposited at an appropriate facility to enable recovery and recycling (directive 2002/95/CE, 2002/96/CE and 2003/108/CE). For information on how to recycle this product responsibly in your Country, please visit the web-site: [www.eur-lex.europa.eu](http://www.eur-lex.europa.eu)



APPROPRIATE  
CONTAINER  
ONLY

## 12.0 - TECHNICAL SPECIFICATIONS

Power supply 839	12/24 Vdc
Current absorption @ 12Vdc with system armed and LED flashing	15 mA
Working temperature range	From -30°C to +70°C
Turn signals relay contact capacity	8 A at 20°C
Maximum positive current output when armed (+A)	700 mA



**Declaration of conformity to type  
Dichiarazione di conformità**

I hereby declare that the product  
*Qui di seguito si dichiara che il prodotto*

**7208E - 7218E**

(Name of product, type or model, batch or serial number)  
*(nome del prodotto o modello, categoria o numero di serie)*

Is conform to all relevant essential requirements of the R&TTE-directive 1999/5/EC, issued March 9,1999. According to Annex IV of the R&TTE directive. The following standards and essential radio test suites published in the "Official Journal" of the European Communities, have been used to demonstrate the conformity of the product:

Product in class 1 frequency identification - subclass 20

Electrical safety:	EN 60950-1 (2001) + A11 (2004)
Radio and spectrum parameters:	EN 300220-2 V2.1.1 EN 50371 (2002)
Electromagnetic compatibility EMC:	EN 301489-3 V1.4.1 EN 301489-1 V1.6.1

*Soddisfa tutti i requisiti applicabili alla tipologia del prodotto e richiesti dalla regolamentazione delle telecomunicazioni secondo direttiva R&TTE 1999/5/CE allegato IV tramite l'utilizzo delle norme pubblicate nella gazzetta ufficiale della Comunità Europea:*

*Prodotto in frequenza identificata come classe 1 - sottoclasse 20*

<i>Sicurezza elettrica:</i>	<i>EN 60950-1 (2001) + A11 (2004)</i>
<i>Radio e parametri di trasmissione:</i>	<i>EN 300220-2 V2.1.1 EN 50371 (2002)</i>
<i>Compatibilità elettromagnetica EMC:</i>	<i>EN 301489-3 V1.4.1 EN 301489-1 V1.6.1</i>

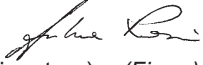
The product can be used in the following European Countries: **A, B, D, DK, F, FR, GR, IR, I, L, NL, P, SP, S, UK**  
*Il prodotto può essere immesso nei seguenti Stati Europei:*

Company responsible for placing on the market: **GEMINI TECHNOLOGIES S.p.A.**  
*Società responsabile per l'immissione nel mercato:*

Address: **Via Luigi Galvani 12 - 21020 BODIO LOMNAGO (VA) - ITALY**  
*Indirizzo:*

Point of contact: **Andrea Rossi**  
*Persona di contatto:*

Bodio Lomnago - 19/09/2003

  
(Signature) - (Firma)